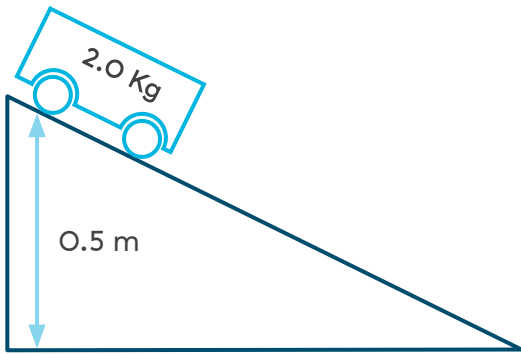


# Potential energy review

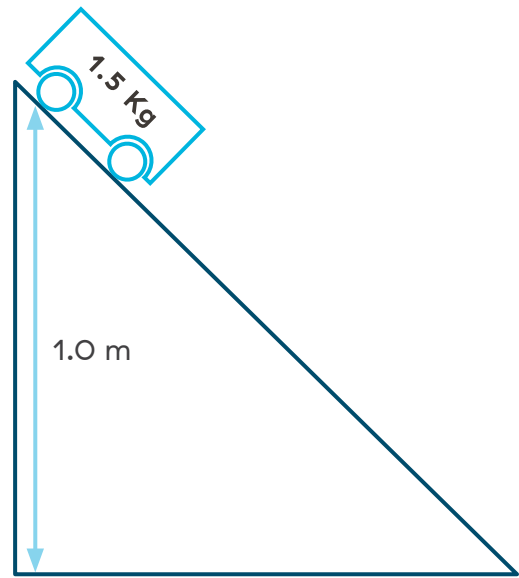
## Power Smart for Schools

Name: \_\_\_\_\_

Date: \_\_\_\_\_



CART A



CART B

Which prediction is the most reasonable?

**Prediction 1:**

If the mass of Cart A is increased, it will have even less potential energy because the cart would move at a slower rate.

**Prediction 2:**

If the mass of Cart A is increased, it could have as much potential energy as Cart B.